

Editor: Mr. Paul Burt, [redacted], Ipswich IP1 6PP Phone Ipswich [redacted]

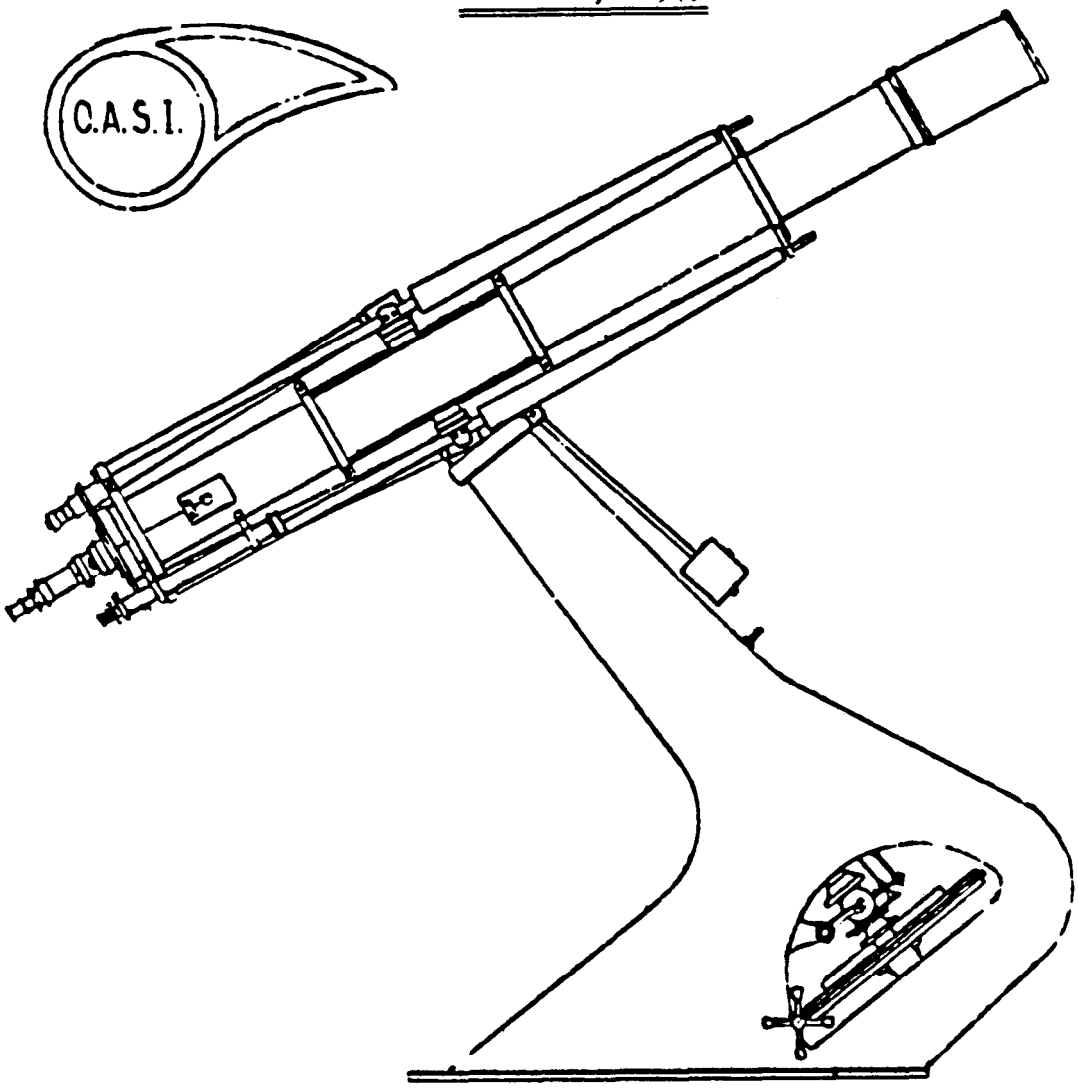
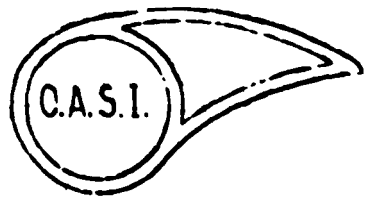
Producer: R.M. Cheesman, [redacted] West Manningfield  
Your submissions of items for the Journal will be welcome. Chelmsford, Essex.

ORWELL ASTRONOMICAL SOCIETY (IPSWICH)

[redacted]  
IPSWICH,  
Suffolk. IP2 9JH

1st December, 1979.

DECEMBER, 1979



Dear Member,

MEMBERSHIP SUBSCRIPTIONS 1980

All membership subscriptions to our Society for 1980 become due on 1st January, 1980 and are at the following rates:-

- Junior Membership (those under 18 years of age or students still in full time education) £2.00
- Full Membership £3.00
- Family Membership £4.00

If you would like to renew your membership to our Society for 1980 please send your cheque to me made out to 'Orwell Astronomical Society (Ipswich)

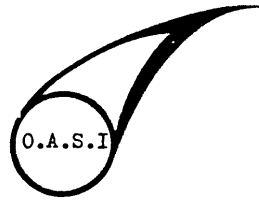
Yours faithfully,

*P. a. Bearcroft (Mrs)*

Hon. Treasurer, Orwell Astronomical Society (Ipswich)

Orwell  
Astronomical  
Society (Ipswich)

---



██████████,  
IPSWICH,  
Suffolk.  
1st December, 1979.

Dear Member,

ANNUAL GENERAL MEETING

You are invited to attend the Annual General Meeting of our Society to be held in the Library of Orwell Park School, Nacton on Saturday 12th January, 1980 starting at 7.30p.m. sharp.

At this meeting the Society's progress during 1979 will be discussed and the accounts for 1979 will be presented.

Also at this meeting the Committee will be elected to represent you for 1980.

The Committee for 1979, all of which are willing to stand for re-election, are

Chairman.	Mr. R.M. Cheesman.
Vice-Chairman.	Mr. A.J. Smith
Secretary.	Mr. M. Barriskill
Treasurer.	Mrs. P.A. Bearcroft

Committee Members:

Mr. D. Barnard  
Mr. D. Payne  
Mr. C. Radley.

If you would like to nominate any fully paid up member other than the above to represent you on the Committee for 1980 please fill in the form below and return it to me no later than 1st January, 1980.

Please note that the nomination form must be countersigned by another fully paid up member of our Society and that the person nominated must agree to his/her nomination. Extra nomination forms can be obtained direct from me or from the Observa\_tory.

Yours faithfully,

*M Barriskill*

Hon. Sec. Orwell Astronomical Society (Ipswich)

-----  
NOMINATION FORM FOR ELECTION OF COMMITTEE, 1980

We wish to nominate..... to be elected onto the  
Orwell Astronomical Society (Ipswich) Committee for 1980.

Signed.....

Countersigned.....

ORWELL ASTRONOMICAL SOCIETY (IPSWICH)

MEETINGS FOR DECEMBER

AT OBSERVATORY, ORWELL PARK SCHOOL, NACTON.

TUESDAYS from 7p.m. Planetary Section.

Directors: Mr. J. Hood, [REDACTED], Ipswich  
and Mr. J. Ranson, [REDACTED], Ipswich, Tel. [REDACTED]

December 4th & 18th

TUESDAYS from 7p.m. Solar & Lunar Section

Directors: Mr. J. Hood, [REDACTED], Ipswich.  
and Mr. M. Barritt, [REDACTED], Ipswich.

December 11th

WEDNESDAYS from 8p.m. Nebulae & Faint Objects Section

Directors: Mr. D. Payne, [REDACTED]  
Wickham Market, Tel. Wickham Market [REDACTED]  
and Mr. M. Cook, [REDACTED], Ipswich Tel [REDACTED]

December 5th, 12th & 19th

FRIDAYS from 8p.m. Variable Stars Section

Directors: Mr. R.S. Manning, [REDACTED], Ipswich  
Tel. [REDACTED]  
and Mr. M. Siggers, [REDACTED], Ipswich.

December 21st

SATURDAYS from 8p.m. General Observation Section.

Directors: Mr. M. Barriskill, [REDACTED], Ipswich  
and Mr. R. Adams, [REDACTED], Ipswich,  
Tel. [REDACTED]

December 1st, 8th, 15th, & 29th

SATURDAYS METEOR SECTION

Director: Mr. D. Barnard, [REDACTED], Ipswich,  
Tel. [REDACTED]

MEET AT THE OBSERVATORY AT 8p.m. FOR:-

1. GEMINIDS SATURDAY 15th DECEMBER
2. URSIDS SATURDAY 22nd DECEMBER

\* FRIDAY 7th DECEMBER, 7.30p.m. Illustrated talk at  
THE FRIENDS MEETING HOUSE, FONNEREAU ROAD, IPSWICH  
by Dr. Heather Couper on 'EXPLODING GALAXIES'  
EVERYBODY WELCOME - ADMISSION FREE

ORWELL ASTRONOMICAL SOCIETY (IPSWICH)

PRESENTS

AN ILLUSTRATED TALK  
ON

EXPLODING GALAXIES

given by

DR. HEATHER COUPER

Director of the Greenwich Planetarium.

on  
FRIDAY 7th DECEMBER

at  
THE FRIENDS MEETING HOUSE FONNEREAU RD.  
IPSWICH

STARTING AT 7.30 AM

Admission Free - Everybody welcome.

REMEMBER THE 7th DECEMBER  
7.30 PM

26th November, 1979.

Again we have Journal printing problems which we hope to overcome before January Journal. Meanwhile we enclose notes re nights at the Observatory, THE HEATHER COUPER TALK, together with an invite to the A.G.M. not to mention that all subscriptions to O.A.S.I. become due on 1st January, 1980.

We are looking for an ink duplicator for emergency use, do you have one for sale or know of anyone who does?

R.M. Cheesman.