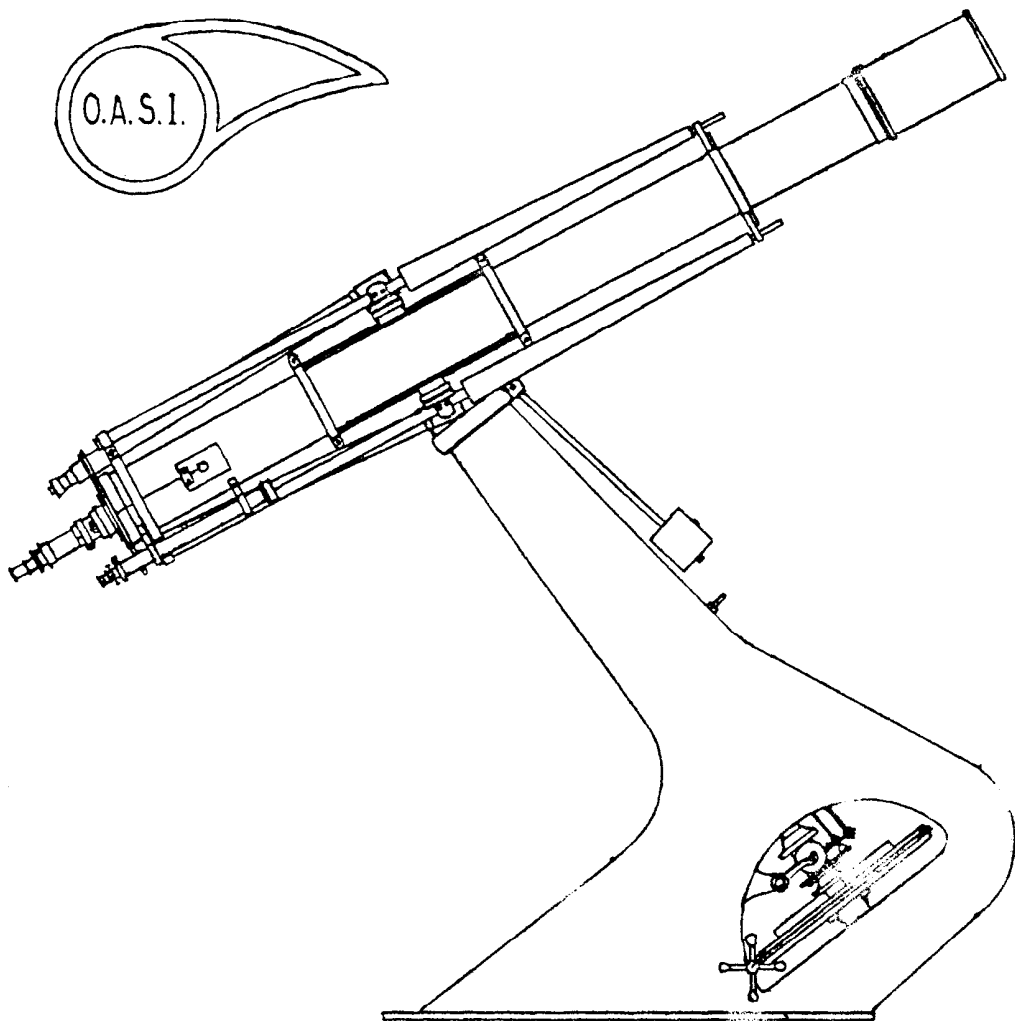


JUNE 1982

Your submissions of items for the Journal will be welcome.



The Orwell Park Observatory 10-inch Astronomical Telescope at Nacton near Ipswich

THE NIGHT SKY AS SEEN FROM ORWELL PARK IN JUNE

by Paul Burt.

Draco occupies the zenith this month, surrounded by Cygnus and Lyra to the east; Hercules, Corona and Bootes to the south; Ursa Major to the west; and Ursa Minor and Cepheus to the north. To the south-east Aquilla is visible by late evening, with it's main star Altair completing the summer triangle with Deneb and Vega. The southern aspect contains some of the less conspicuous constellations this month. Ophiuchus, which divides Serpens into it's two components, Caput and Cauda, lies directly below Hercules. Just above the southern horizon lies Libra, and the head of Scorpius, containing Antares the red giant. To the south-west Virgo plays host to Mars, Saturn and Jupiter while further west Leo will be below the horizon before midnight by the end of the month.

THE SUN

Sunrise is at 03h 40m throughout the month and Sunset changes from 20h 10m to 20h 25h during the month.

THE MOON - Phases

Full Moon	6d 15h 59m	New Moon	14d 18h 06m
Last Quarter	21d 11h 52m	First Qrt.	28d 05h 56m

Occultations

<u>Star</u>	<u>Phase</u>	<u>Mag.</u>	<u>Time</u>
*1976	D	6.9	29d 21h 10.1m
*1976	D	6.9	29d 21h 53.1m

D = disappearance, Star listed according to Zodiacal Catalog (ZC) number *denotes time correct for latitude and longitude of Greenwich

THE PLANETS:

Mercury is in inferior conjunction on the 1st, and reaches greatest elongation west of 22° on the 26th, when it will be at mag. +0.8 (increasing) and rising an hour before the Sun.

Venus is also a morning object, rising 2 hours before the Sun at mag. -3.4

Earth Summer Solstice is at 21d 17h 23m.

Mars is in Virgo at mag. +0.3 (decreasing) setting at around mid-night.

Jupiter is also in Virgo, at mag. -1.8, setting half-an-hour after Mars.

Saturn is at mag. +0.9, also in Virgo setting between Mars and Jupiter.

Neptune reaches greatest opposition on the 17th, in Ophiuchus at mag. 7.7. R.A. 17h 41m
Dec. $-22^{\circ}00'$

Minor Planet Juno is at greatest brilliance of +10.8 during June, in Serpens Cauda. Position mid-month R.A. 18h 11m. Dec. $-4^{\circ}48'$

Souse: B.A.A. Handbook 1982. All times are U.T.
(B.S.T. minus 1 hour)

METEOR NOTES by David Barnard.

There is only one decent shower this month, the Ophiuchids. Normal limits of this shower are between May 19th and July. There is a double maxima on June 10th with a ZHR of 10; and Radiant is 17h 56m, Dec. -23° and 17h 20m Dec. -20° .

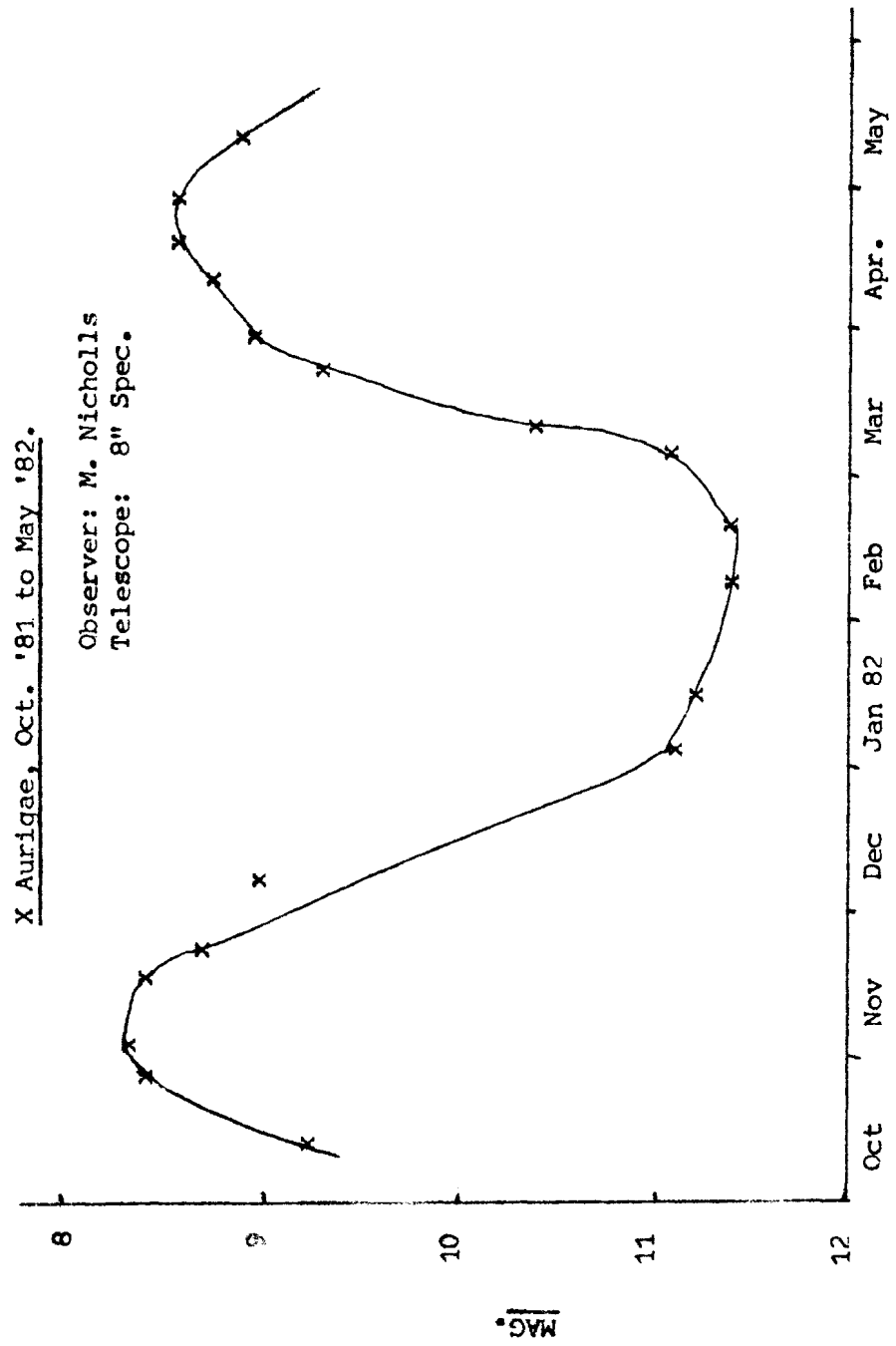
Next month we have no less than six showers active some of which will be observed on the annual expedition to Scotland.

SCOTLAND TRIP July 16th to July 25th.

Everything is now finalised for this year's trip to Scotland. Five members (at least) are going. We are attempting to observe the partial eclipse of the Sun during the week from either Cape Wrath or from the Outer Hebrides.

VARIABLE STAR OBSERVATIONS BY Mike Nicholls

On page 3 this month is a light curve of X Aurigae from October 1981 to May this year. This star is an example of a long period variable, with an average period of 164 days. Two maxima are shown and from them a rough period of about 70 days can be calculated. This is quite close to the average. The last report of X Aurigae was in the September Journal where the period was also seen to be close to the average. Aurigae is now moving round to the north out of my line of view and observing will cease with this star later this year.



OPEN WEEKEND

By David Payne

The experimental 'Open Weekend' held Friday 7th May to Monday 10th May, to observe the planets was an outstanding success. The committee and myself had only expected 30 to 40 visitors each night and we would have been pleased with this number.

On Friday 7th May about 30 visitors did turn up. The weather kept dry with clear patches of sky and all visitors got at least one look at the planets Mars, Jupiter and Saturn and towards the end of the evening the Moon was glimpsed. The visitors were very interested and asked many questions of the members present. It was agreed by all those who helped that the evening had been a great success and had been worth the effort.

Saturday night several members turned up again to help. We were expecting a similar number of visitors to Friday night, maybe a few more as the sky was clear. By 8.30pm (B.S.T.) we had about 50 visitors in the dome with more arriving all the time. Very soon it was necessary to set up two small telescopes on the club room balconies to reduce the queues on the stairs. In all we had around 250 visitors during the evening a number far exceeding our expectations.

Sunday night was again clear and although not as popular as Saturday, still attracted about 130 visitors. Finally on Monday, again a clear sky (fourth in a row!!), we had approximately 60 visitors making a total over the whole weekend of about 480. The event raised (sale of stickers, histories and 'donations to Society funds') £128.36. It's success clearly illustrates that public interest in astronomy is certainly very much alive.

David Payne
(Chairman)

We would like to welcome the following new members who have just joined our Society.

Mr. H.W. FENSOM

[REDACTED],
FELIXSTOWE, Suffolk.

Phone [REDACTED]

Mr. R. OUDKERK,

[REDACTED],
Hadleigh Road,
IPSWICH.

Phone Ipswich [REDACTED]

Mr. E.W.F. SIMS,

[REDACTED],
IPSWICH

Phone Ipswich [REDACTED]

Mr. E.A. BROWN,

[REDACTED],
FRAMLINGHAM,

Woodbridge,
Suffolk.

6.

JULY'S JOURNAL.

The monthly Journal takes a lot of time to prepare type up, print and distribute before the end of each month. Many people are involved generally going into work early or staying late at night to type the Journal up and to print it. Because of the time it takes as it can only be done at certain times the deadline for the Journal changes each month and even so the Journal might be a little late getting to you.

The deadline for July's Journal is Monday 14th June. All items should be sent to:

Mr. R.M. Cheesman,

[REDACTED],
WEST HANNINGFIELD,
Chelmsford, Essex.
CM2 8LQ

All items of astronomical interest will be accepted for publication.

ORWELL ASTRONOMICAL SOCIETY (IPSWICH)

PROGRAM FOR JUNE

At the Observatory, Orwell Park School, Nacton.

Wednesdays from 8p.m.

Nebular & Faint Objects Section

Directors: Mr. D. Payne and Mr. M. Cook.

2nd, 9th, 16th, 23rd and 30ths

FRIDAYS from 8p.m.

Variable Stars Section

Director Mr. M. Nicholls

4th 11th 18th & 25th

SUNDAYS from 8p.m.

General Observations Section

Directors Mr. M. Barriskill and Mr. R. Adams.

13th and 20th.

SATURDAY 5th June at 7.30p.m.

OPEN COMMITTEE MEETING to which all members are invited.

A LITTLE MESSAGE ABOUT YOUR JOURNAL THIS MONTH by Roy Adams

(your at present, emergency photocopying resource - one-time old, but not aged (?) Journal producer, and as I understand the name Roy Adams is common in our Society, I am the one who lives in Ipswich and sometimes is seen as Co-Director usually on a Sunday evening).

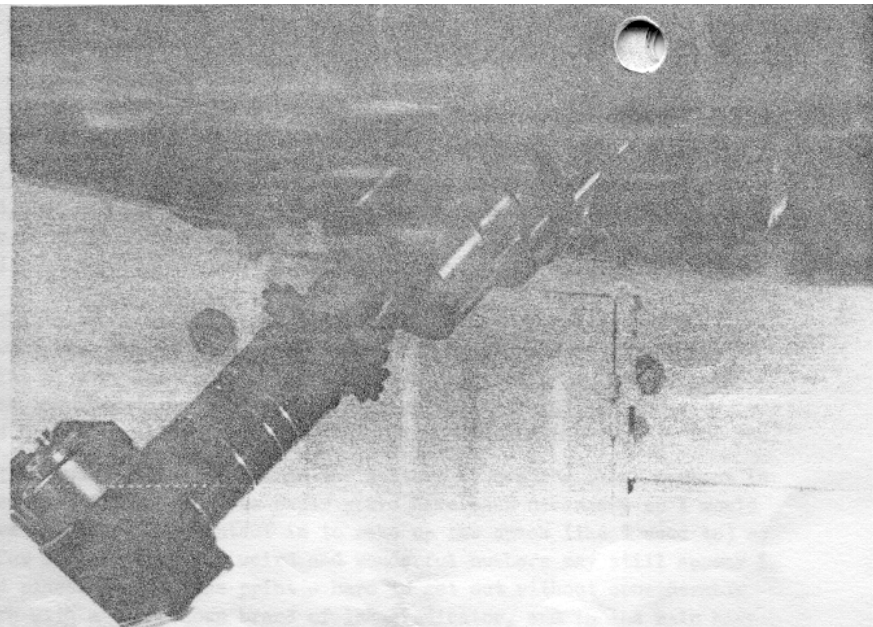
This issue's master sheets were prepared for reproduction on the Orwell Park School's litho. machine, but unfortunately, there is, in spite of very hard work by certain members, including Dave Barnard, some insurmountable difficulty in using that machine, so Yours Truly has been asked at quite short notice to photocopy the masters for you.

There was no time to change the masters by copying their content in microtype (for which less paper would have been necessary or I would have put some more content in to make up the space like I used to) so a few dotted lines and weird and wonderful numbers may still appear in odd places amongst the print - hard to get out without considerable work with a well-known brand of ink-eraser, and in the main hideable by careful adjustment of photocopier tone control (yes, it is humming merrily after its first inside clean-up since having the machine).

If the image is a little greyer than expected, it is due to the urgency of the task over the holidays in being unable to renew one of the renewable commodities in the machine over the holidays, and the need to keep those stencil marks out and yet get the Journal out before deadline (hopefully) again. One of our links in the Distribution chain is going on holiday imminently - an even worse deadline! Needless to say, it isn't me!

Anyway, if you favour the microtype/photocopy format, say so in the right places. Photographic material can usually be printed as well with my photocopier, which is an added bonus. And as you see, a lot more words can be got in a given space than with ordinary type.

Well, there's two more sets of sides to do, so I will just hope you will approve of the results.



A camera on the Orwell Park 10-inch
↳ Guess where these gears are.

